



**EASY
 TORSION-TILT
 SYSTEM**

BT8431

UNIVERSAL FLAT SCREEN WALL MOUNT WITH TILT

Designed to mount medium to large sized screens, the BT8431 is a flat screen wall mount that features a unique 'Torsion-Tilt' mechanism which allows easy tilt adjustment of the screen up to +/-15°. Also suitable for pole mounting using B-Tech's Accessory Collars, the BT8431 features levelling screws to adjust the screen level post installation as well as locking screws which help prevent unauthorised removal of the screen.

SPECIFICATION

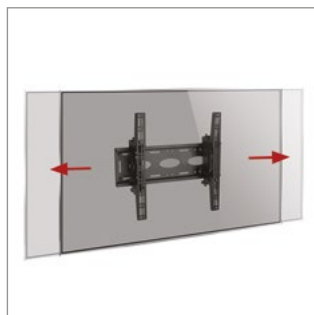
Recommended screen size	39" - 55"
Max load	50kg
VESA® & non-VESA fixings	up to 465 x 400mm
Tilt	+/-15°
Distance from wall (flat)	81mm
Distance from wall (full tilt)	148mm
Colour	Black

FEATURES

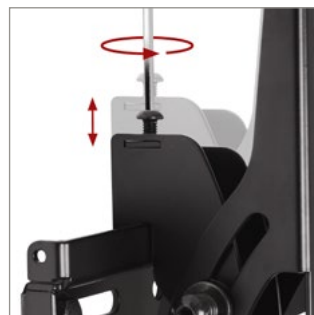
- Unique 'Torsion-tilt' mechanism for easy tool-less adjustment
- Lateral adjustment of screen once mounted
- Levelling screws allow adjustment of screen height
- Security locking screws and Allen key to prevent unauthorised screen removal
- Collar compatible ideal for pole mounting
- Simple 'hook-on' installation with all mounting hardware included



Unique 'Torsion-Tilt' mechanism allows for easy tilt adjustment up to +/-15°



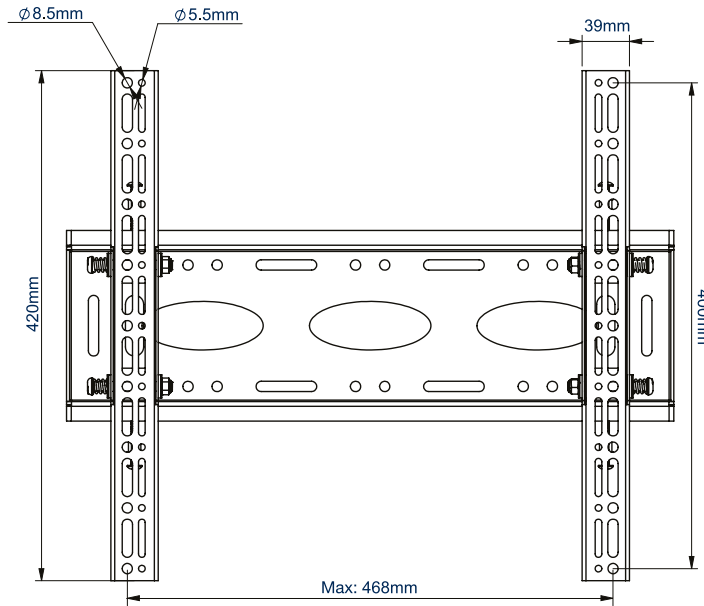
Post installation lateral screen alignment for perfect screen positioning



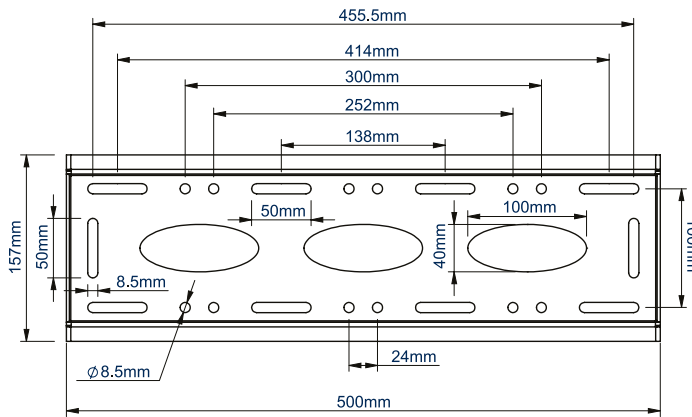
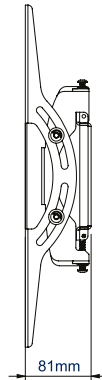
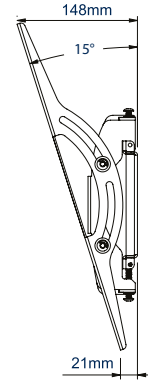
Arms feature levelling screws to adjust the screen height once mounted



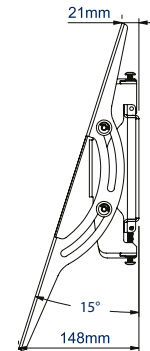
Security locking screws and Allen key provided for a secure installation



FRONT VIEW



WALL PLATE - FRONT VIEW



SIDE VIEWS

PACKING INFORMATION

COLOUR:	ORDER REF:	EAN CODE:	MASTER CARTON QTY:	INNER CARTON QTY:	MASTER CARTON WEIGHT:	MASTER CARTON CUBE:
Black	BT8431/B	5019318084270	2	0	8.9kg	0.028cbm

ACCESSORIES AND RELATED PRODUCTS

BT8220



Ultra-Slim Universal Flat Screen Wall Mount for screens up to 80"

BT7822



Heavy Duty Floor / Ceiling Mount
Can be used in conjunction with B-Tech poles and collars to create pole mounted solutions

BT7850



50mm Diameter Poles are available in a choice of 6 lengths and can be used to create multiple pole mounted solutions

BT7841



50mm Accessory Collars can be fixed to the BT8432 to allow the mount to be attached to a pole

© 2016 B-Tech Av Mounts. All rights reserved. The information in this specification is subject to change without notice. B-Tech Av Mounts and B-Tech are registered trademarks of B-Tech Av Mounts. All other trademarks are the property of their respective owners. B-Tech Av Mounts is not responsible for any damage or loss of data caused by improper use of the product. Any reproduction or modification of any part of this specification is strictly prohibited unless prior written permission has been granted by B-Tech Av Mounts Manufacturing Ltd. S/S-BT8431-V3-050819